

Montageanleitung

2-flg. Schiebetür System 40/80

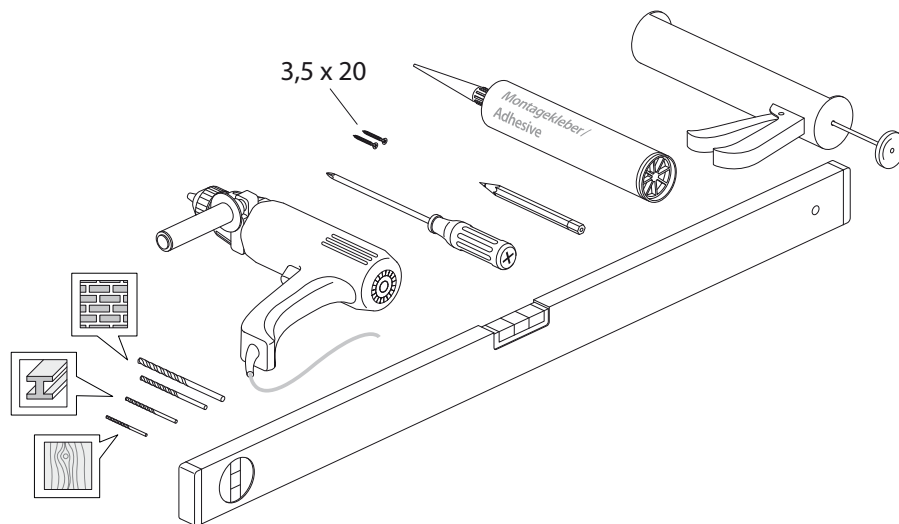
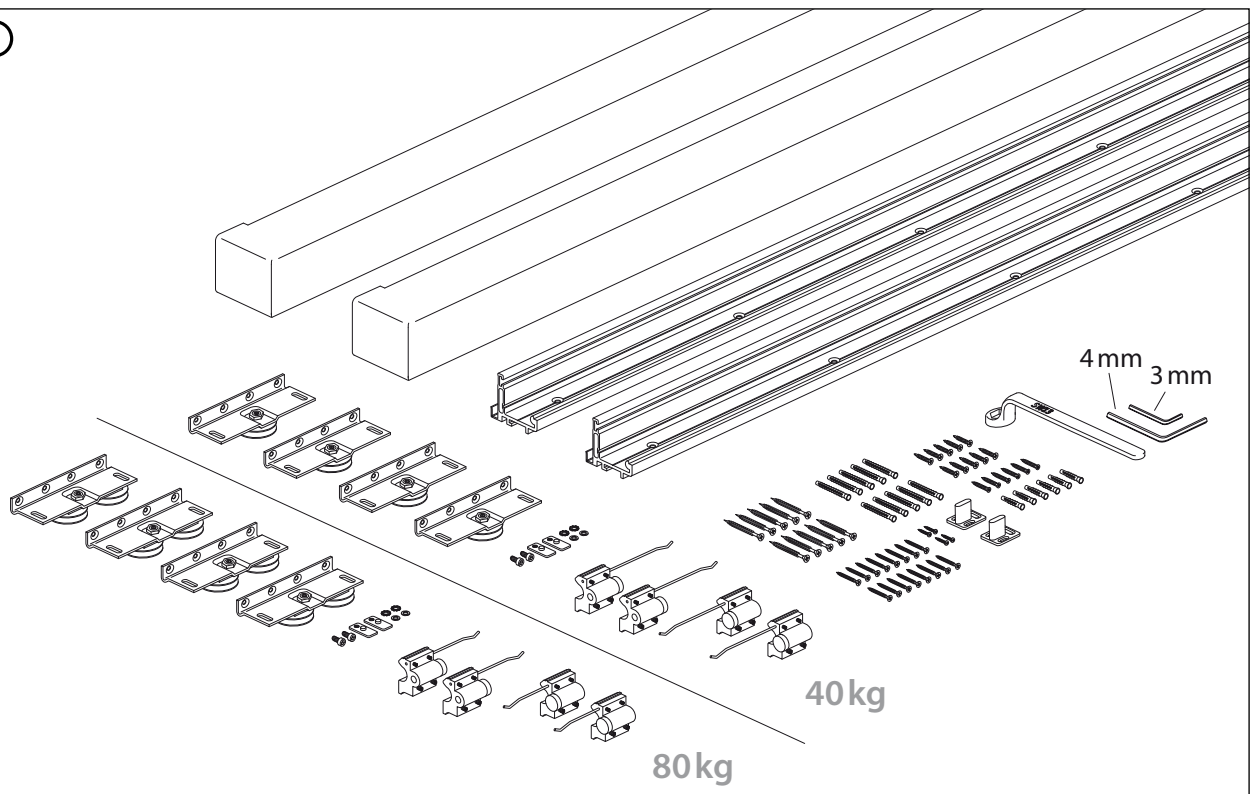
Wandmontage

Assembly instructions – Double-leaf sliding door System 40/80

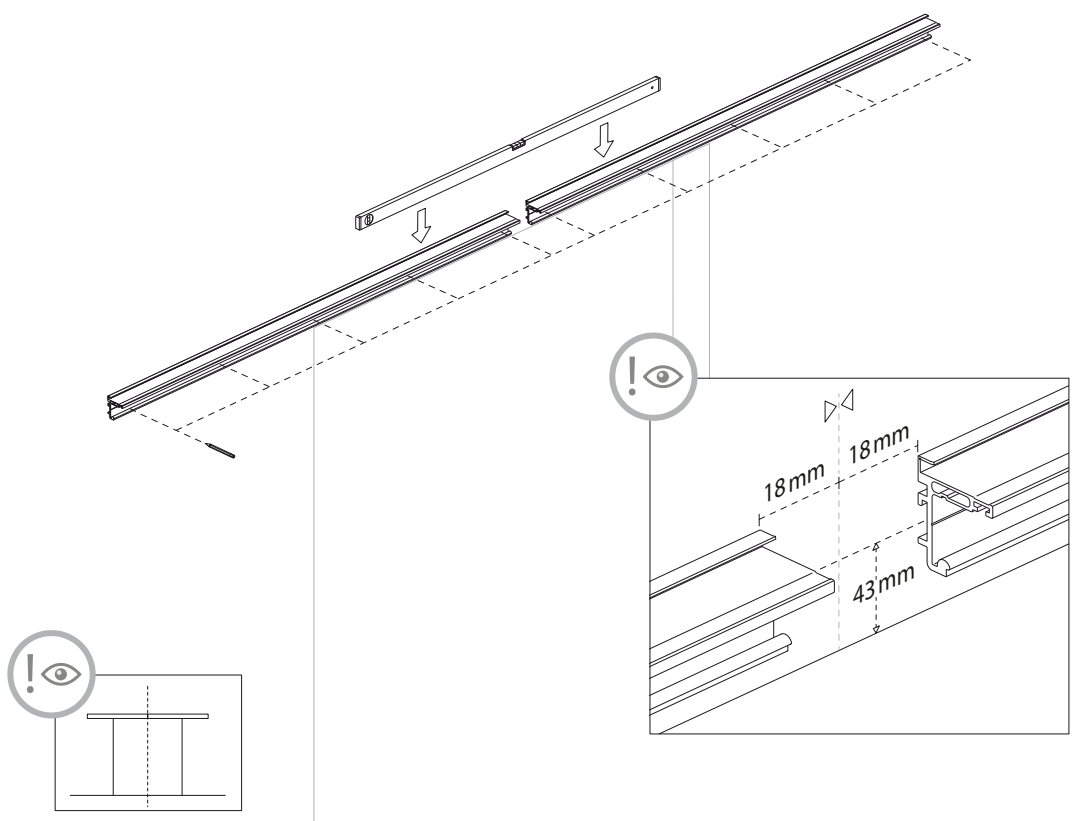
Wall-mounted

Notice de montage – 2 vantaux porte coulissante System 40/80

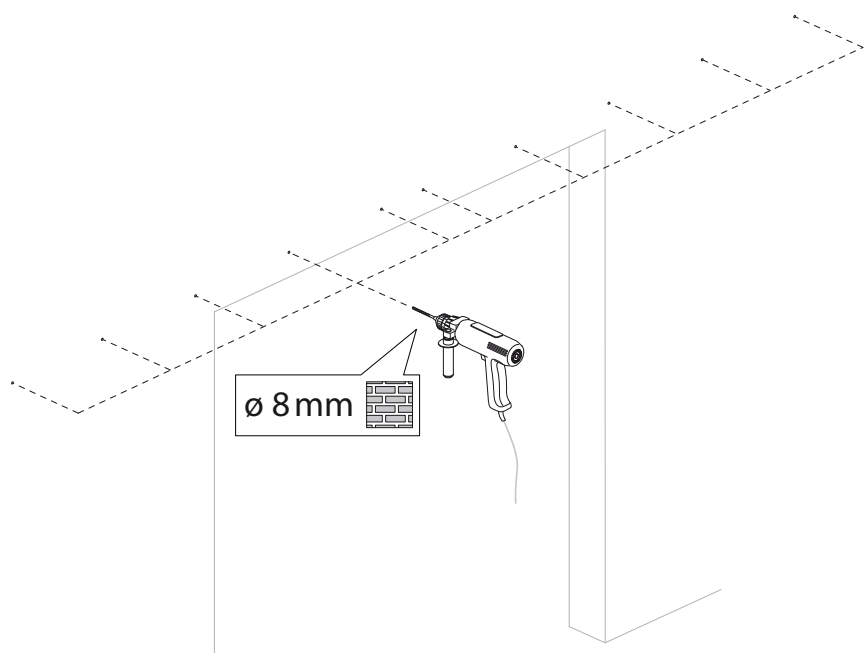
Montage au mur



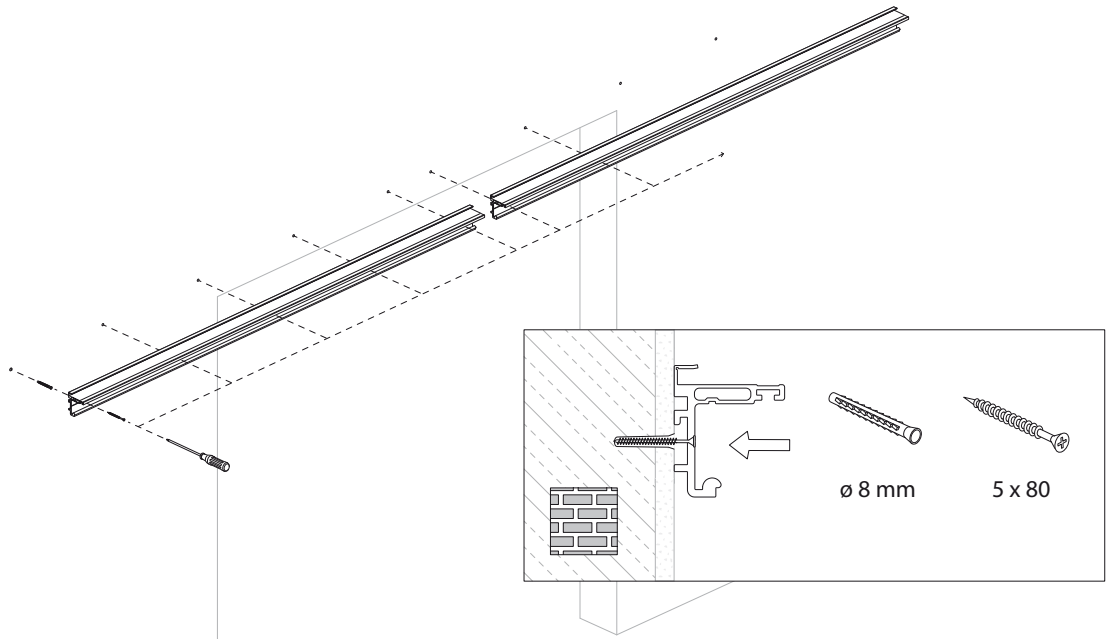
1



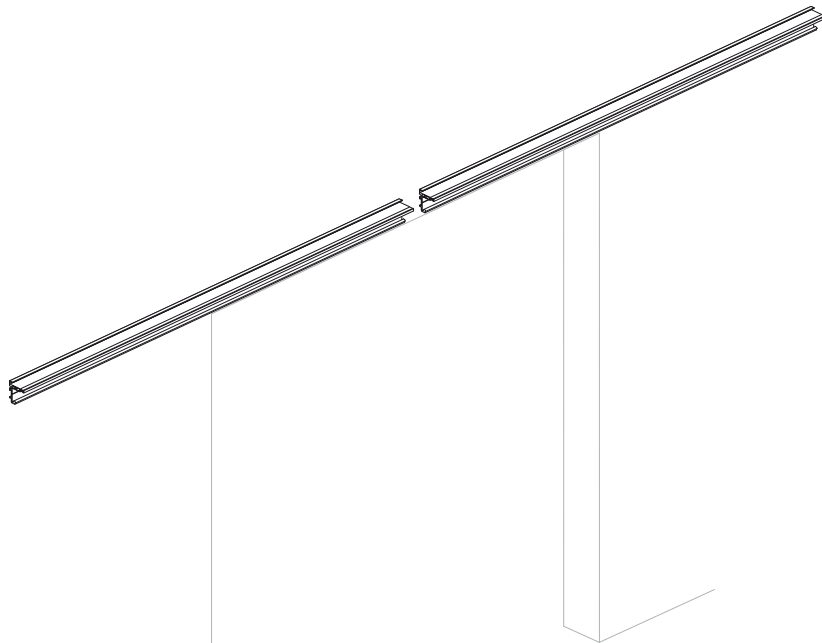
2



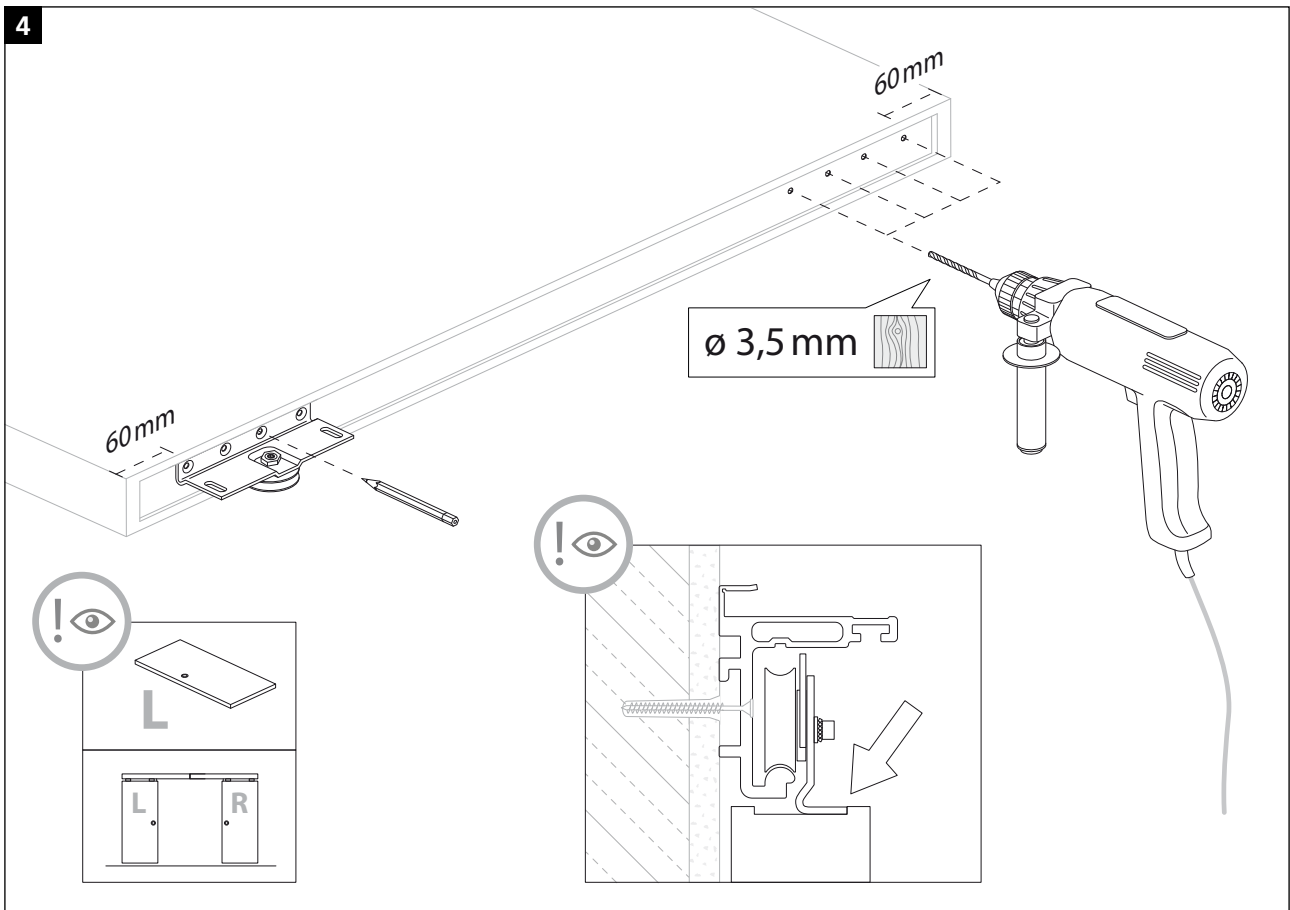
3



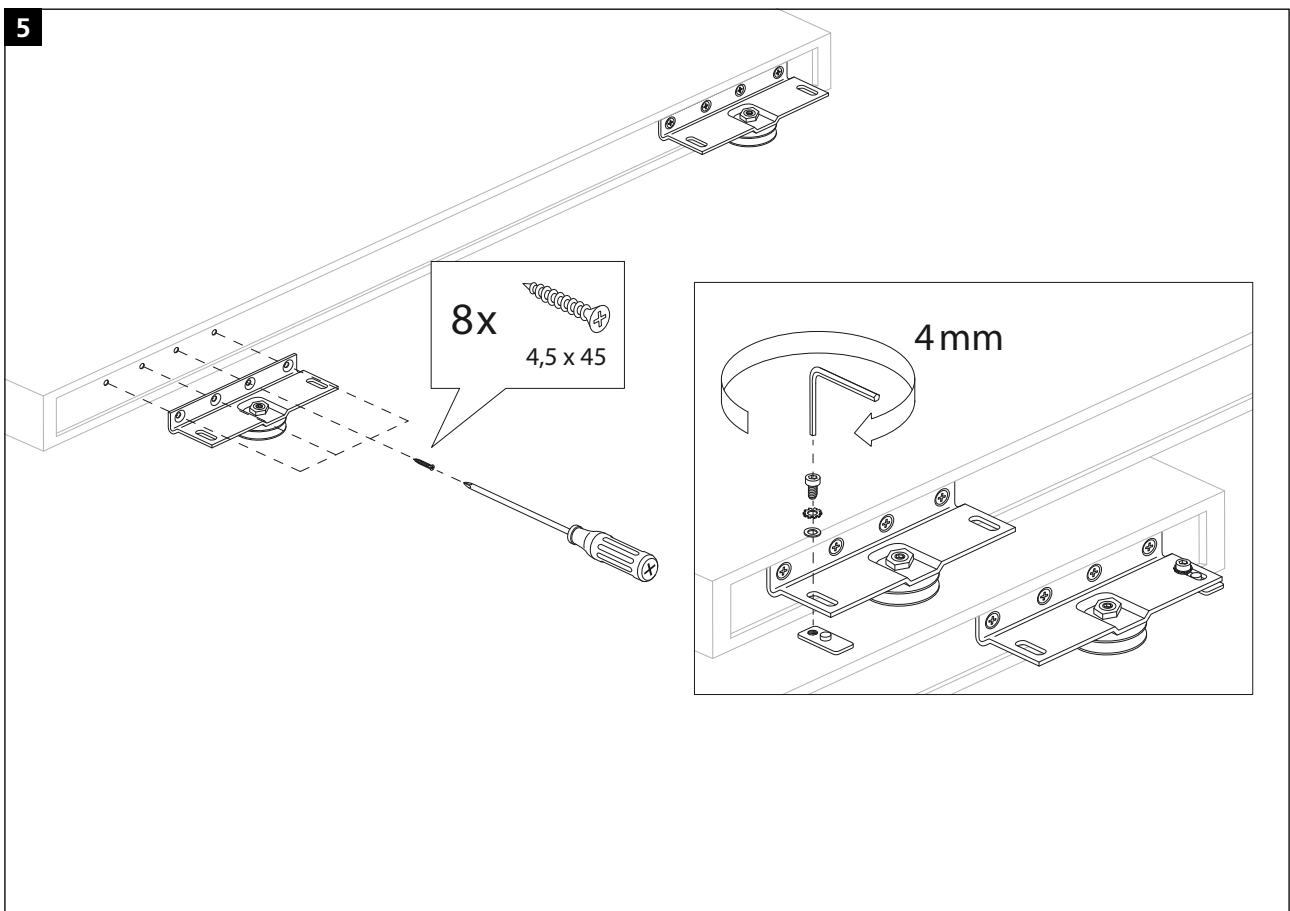
i

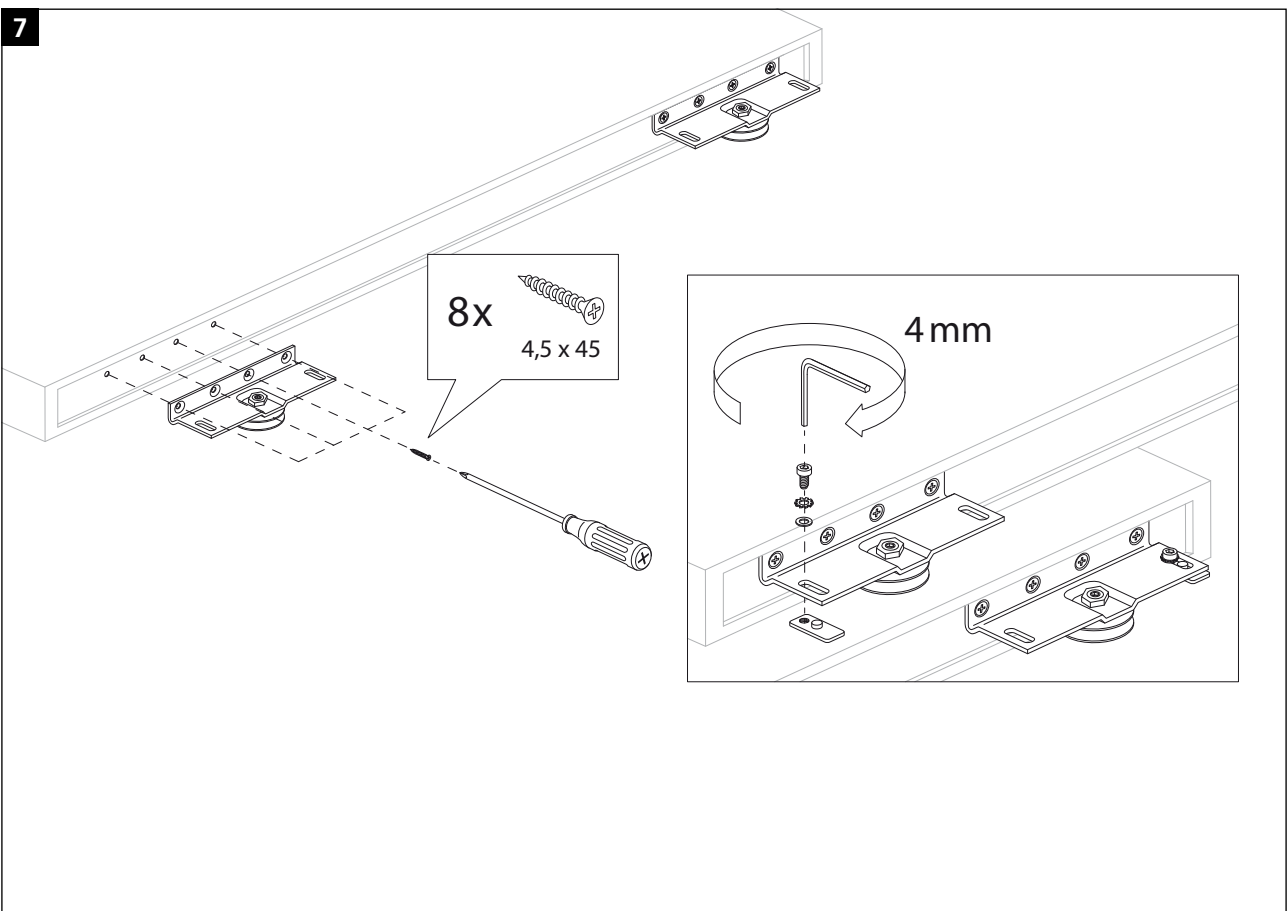
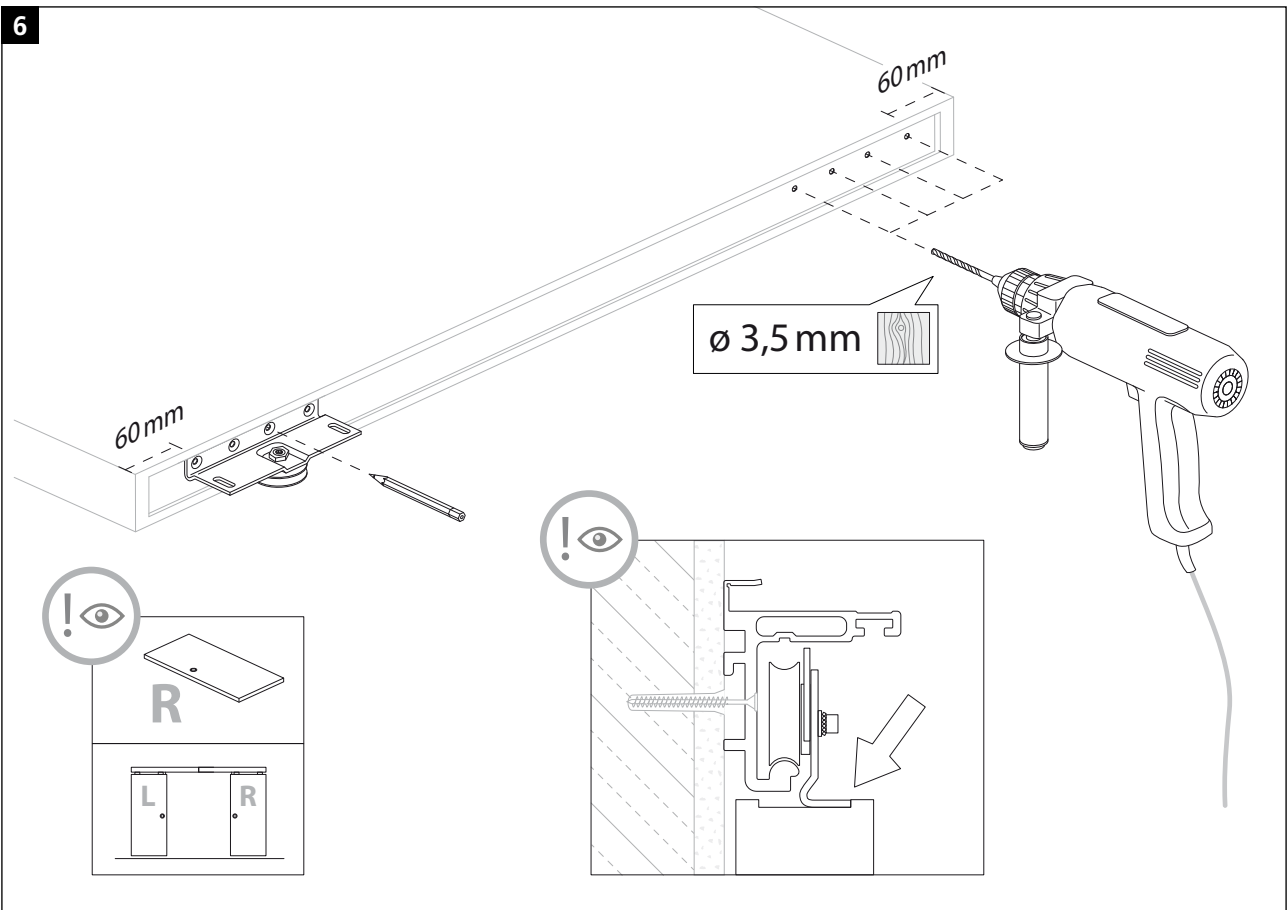


4

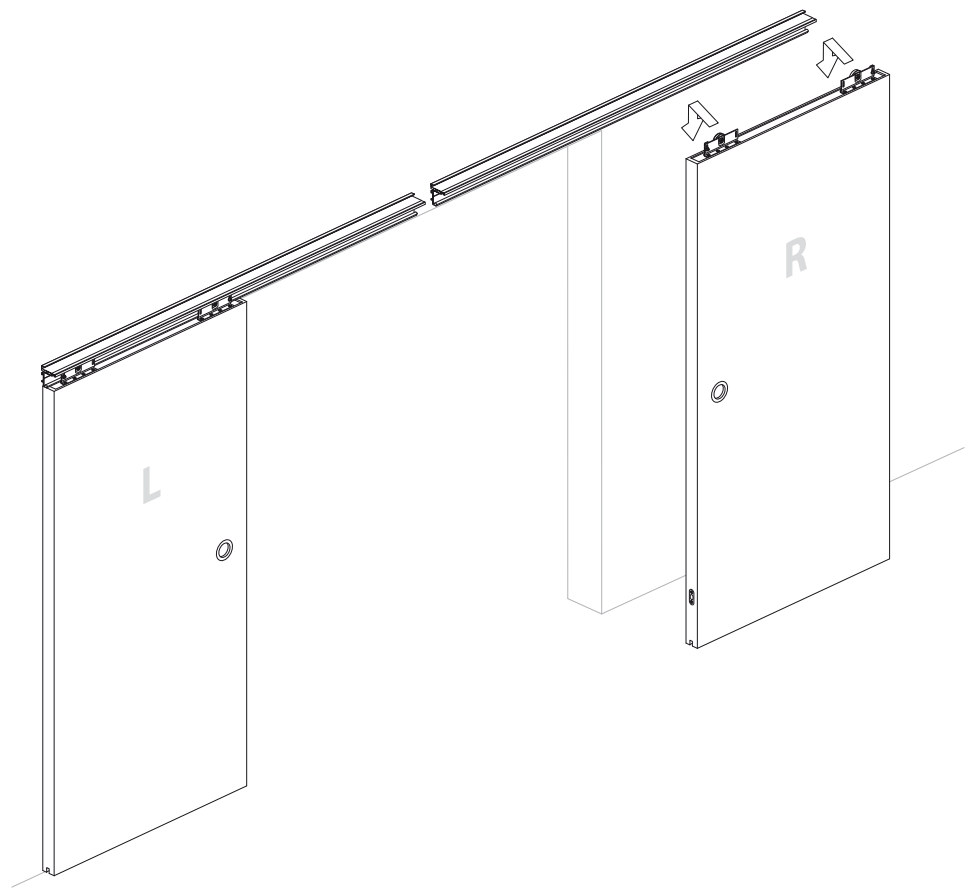


5

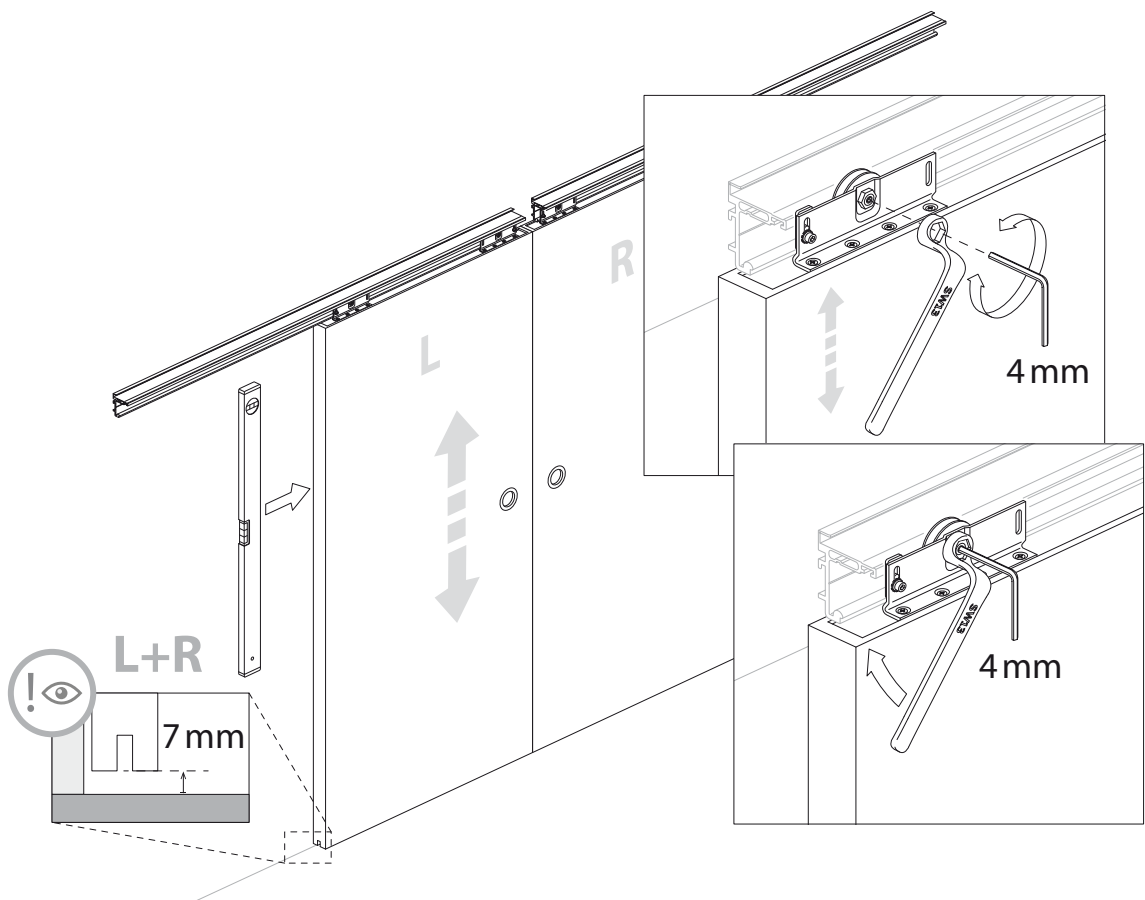




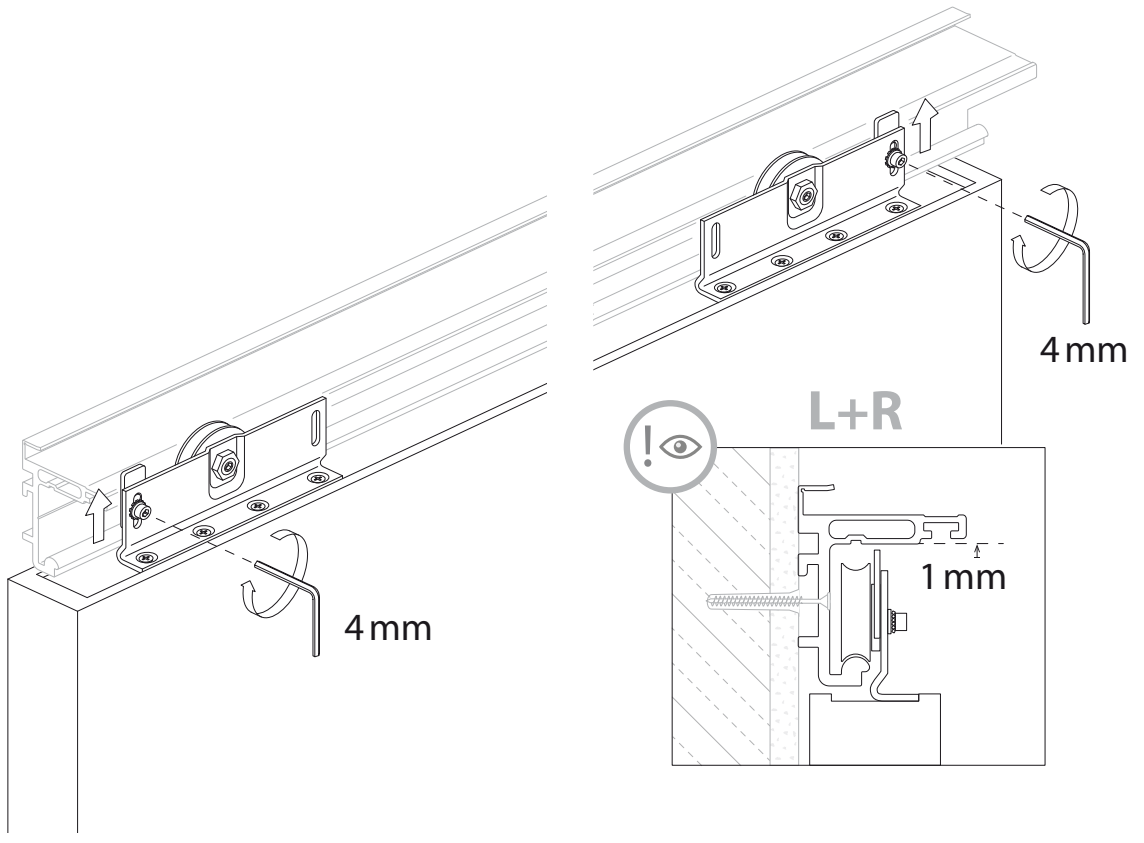
8



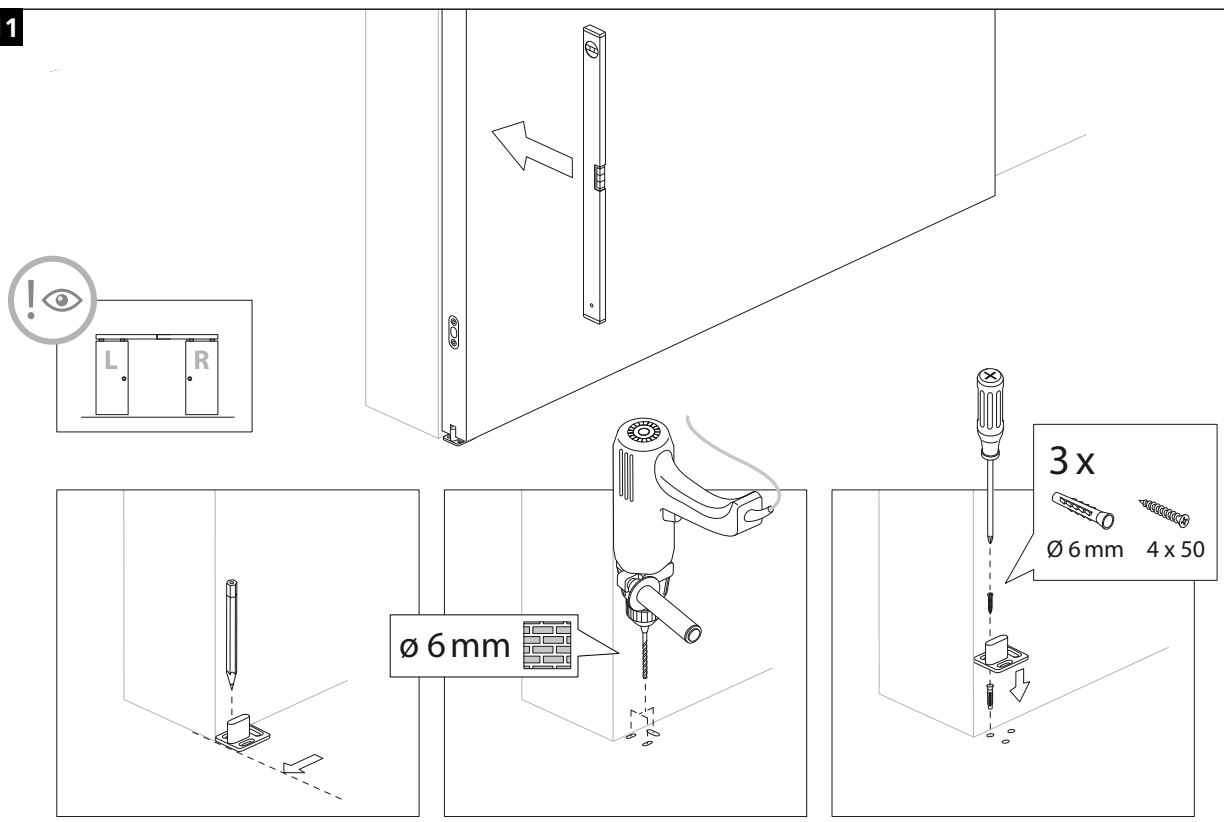
9



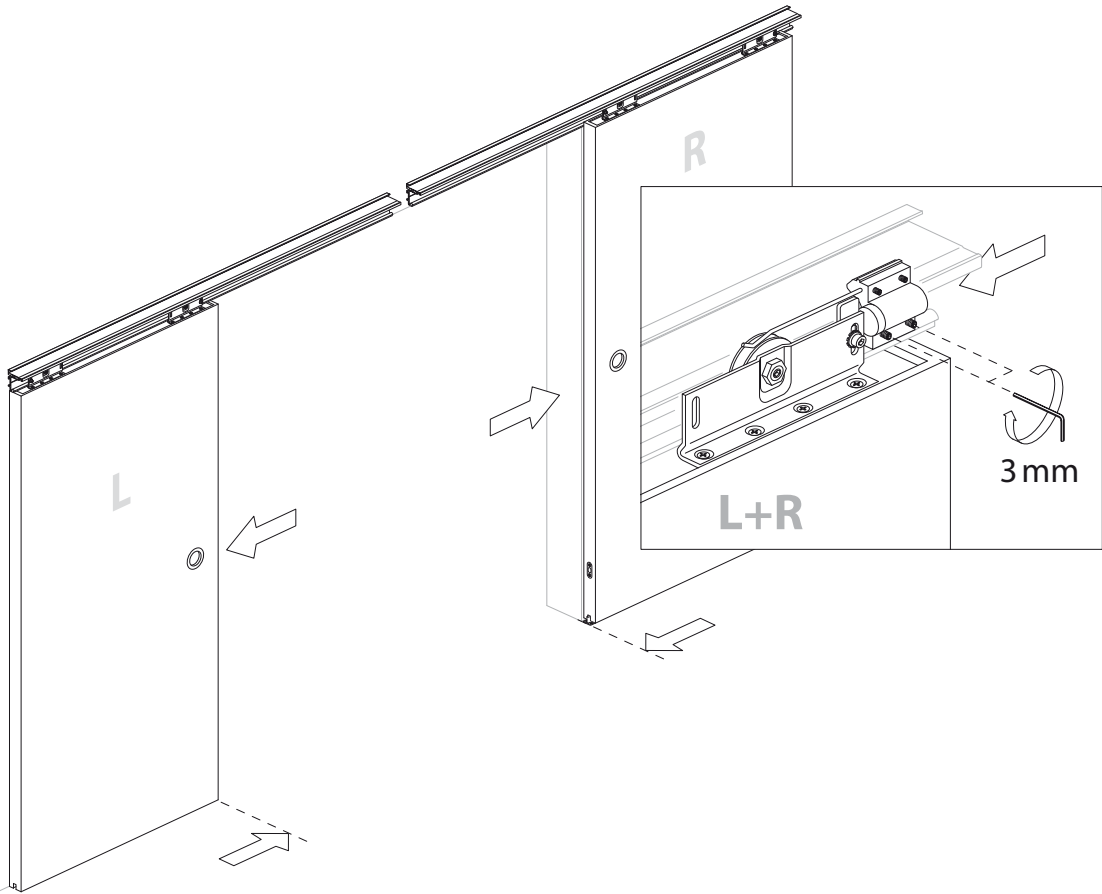
10



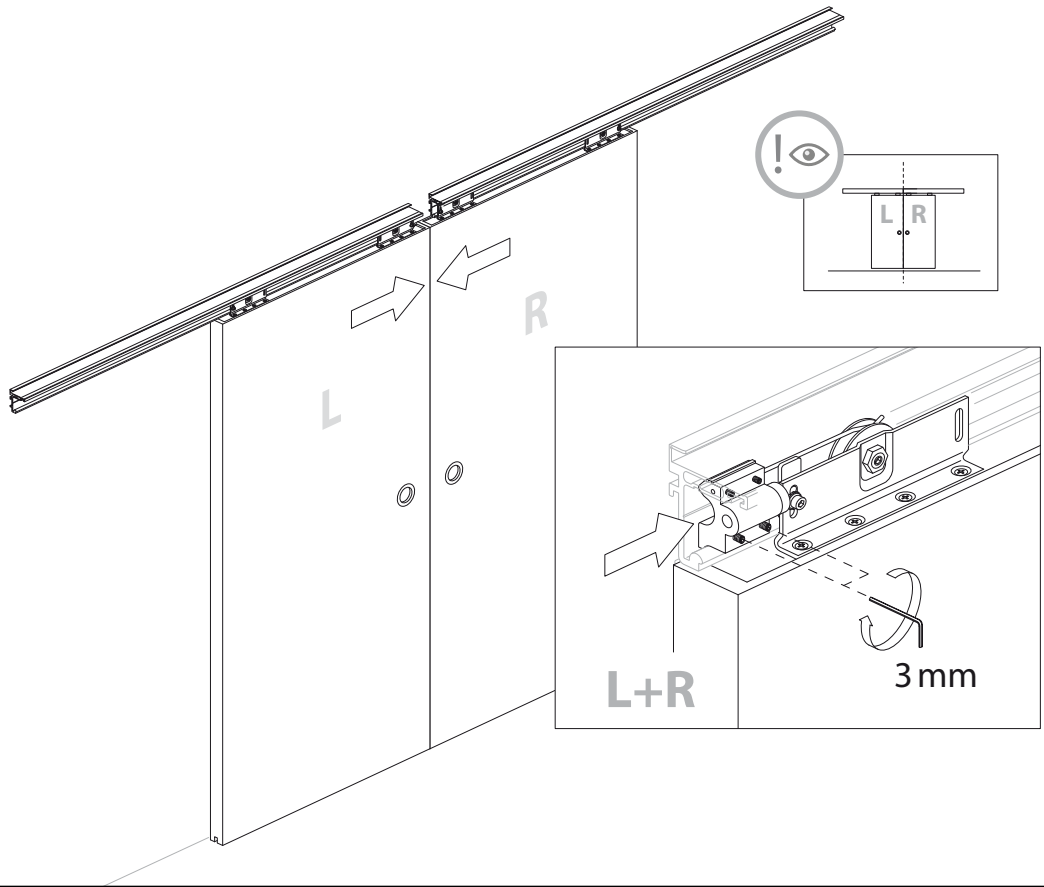
11



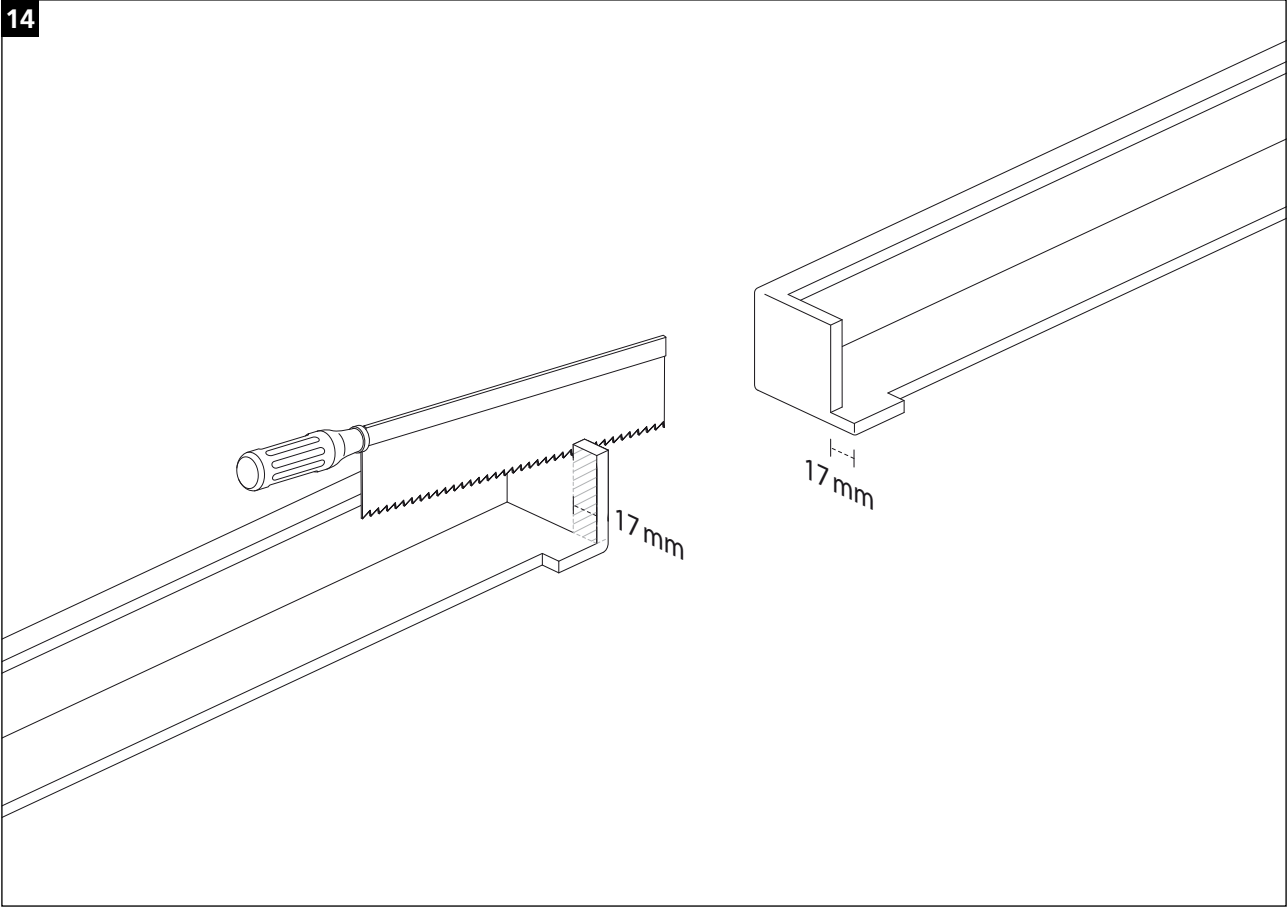
12



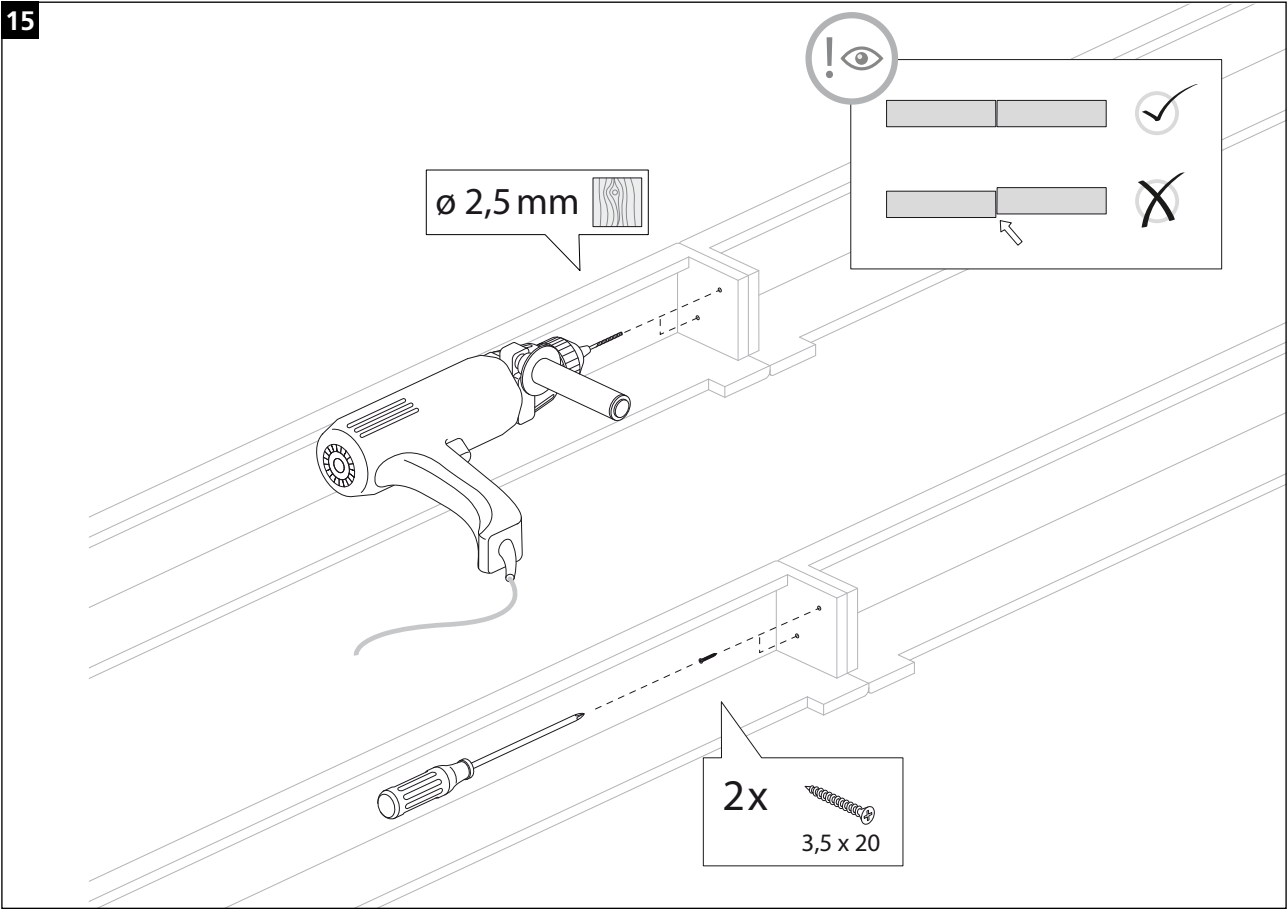
13



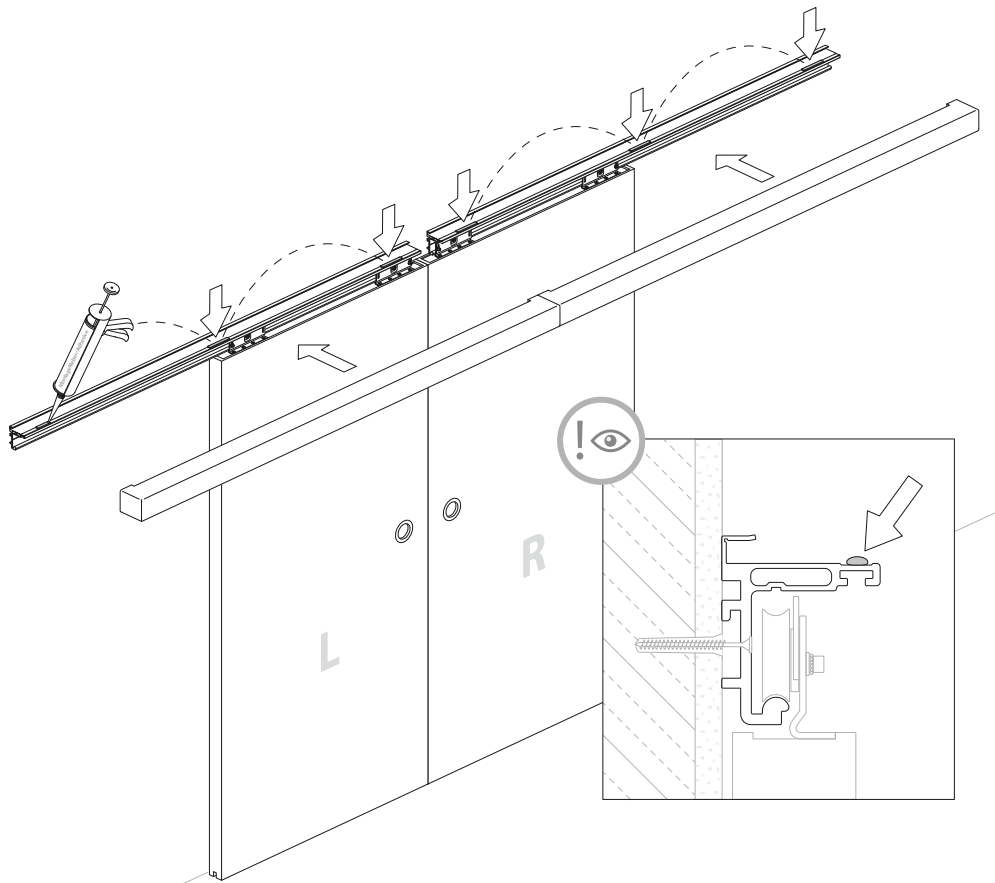
14



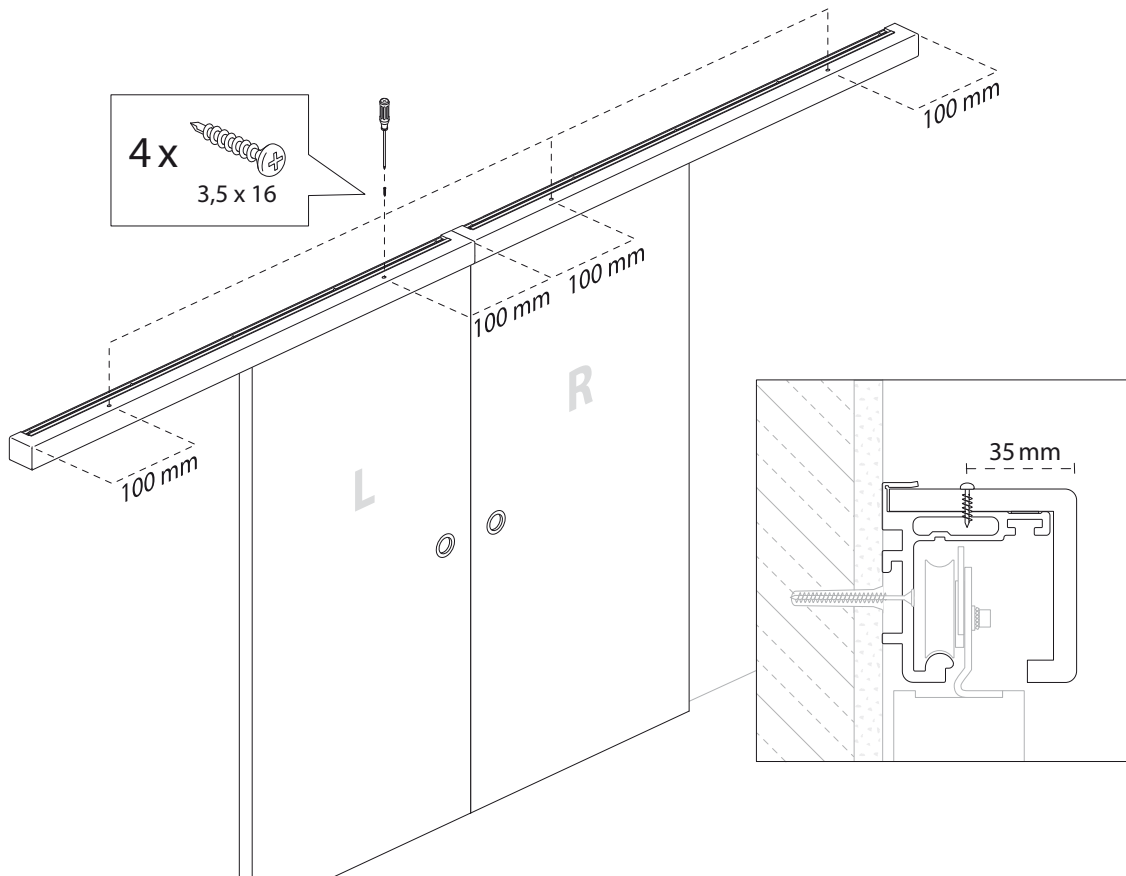
15



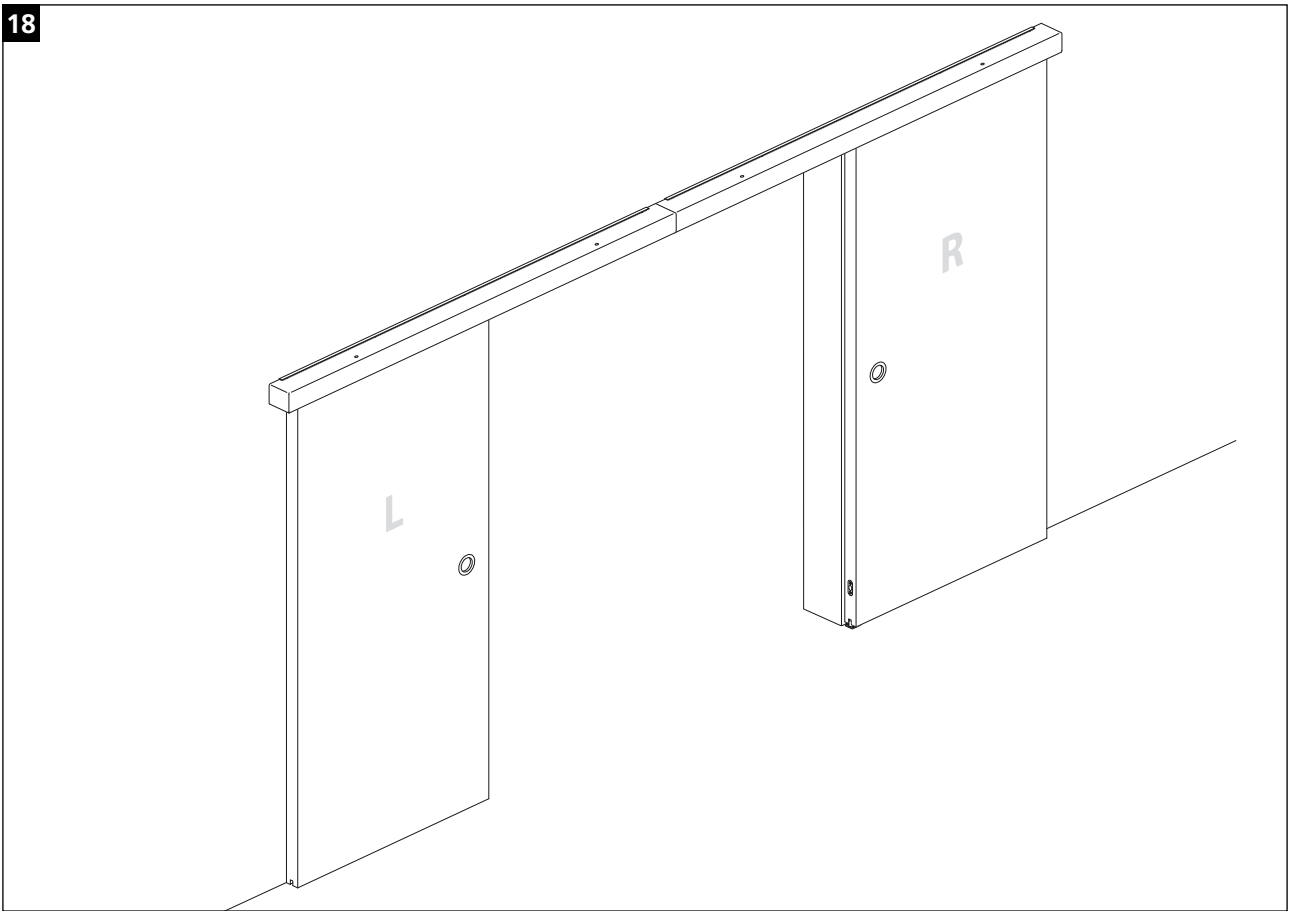
16



17



18



WESTAG 

Westag AG

Hellweg 15 | 33378 Rheda-Wiedenbrück | Germany

Tel. +49 5242 17-2000 | Fax +49 5242 17-72000

tz.vertrieb@westag.de | www.westag.de