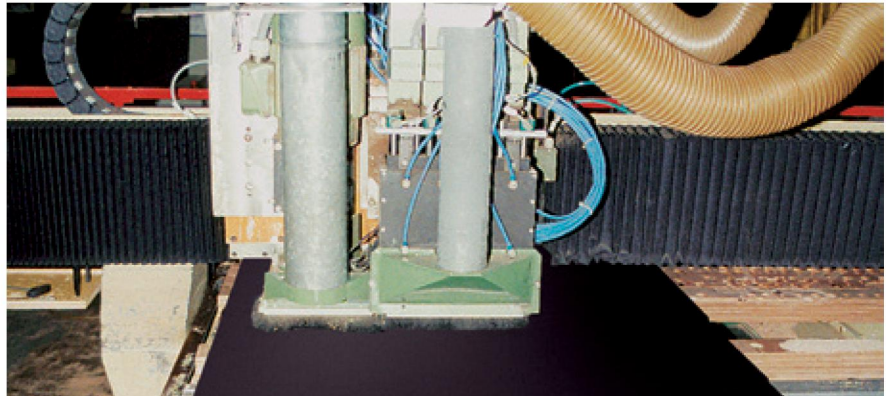
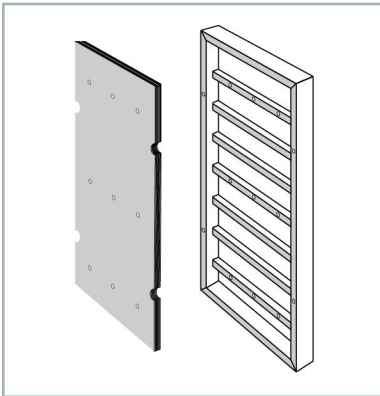




Westag & Getalit AG offers a high-quality range of panels for various frame formwork systems. These include a variety of plywood constructions, cut-to-size, drilling, recesses for anchors, and film coatings of 450 g/m². Custom-cut panels can also be supplied.



TECHNICAL DATA

Technical data	Dimensions mm	Thickness mm	Weight kg/m ²	Modulus of elasticity (N/mm ²)		Bending strength (N/mm ²)	
				Along	Across	Along	Across
Betoplan Special	Fixed dimensions available on request	15	9.4	8900	5800	74	49
		18	11.2	8300	6300	64	50
		21	13.1	7500	6100	60	51

Tolerances in accordance with DIN 68792

Subject to design modifications

Attention Reference values – these properties are not guaranteed

Tel. +49 5242 17-1000
 Fax +49 5242 17-71000
www.westag-getalit.com
sp.vertrieb@westag-getalit.com